

Wiring diagramm see sheet 2

Die Montageanleitung 7BC000000 wird elektronisch bereitgestellt.
The assembly instruction 7BC000000 is provided in electronic format.

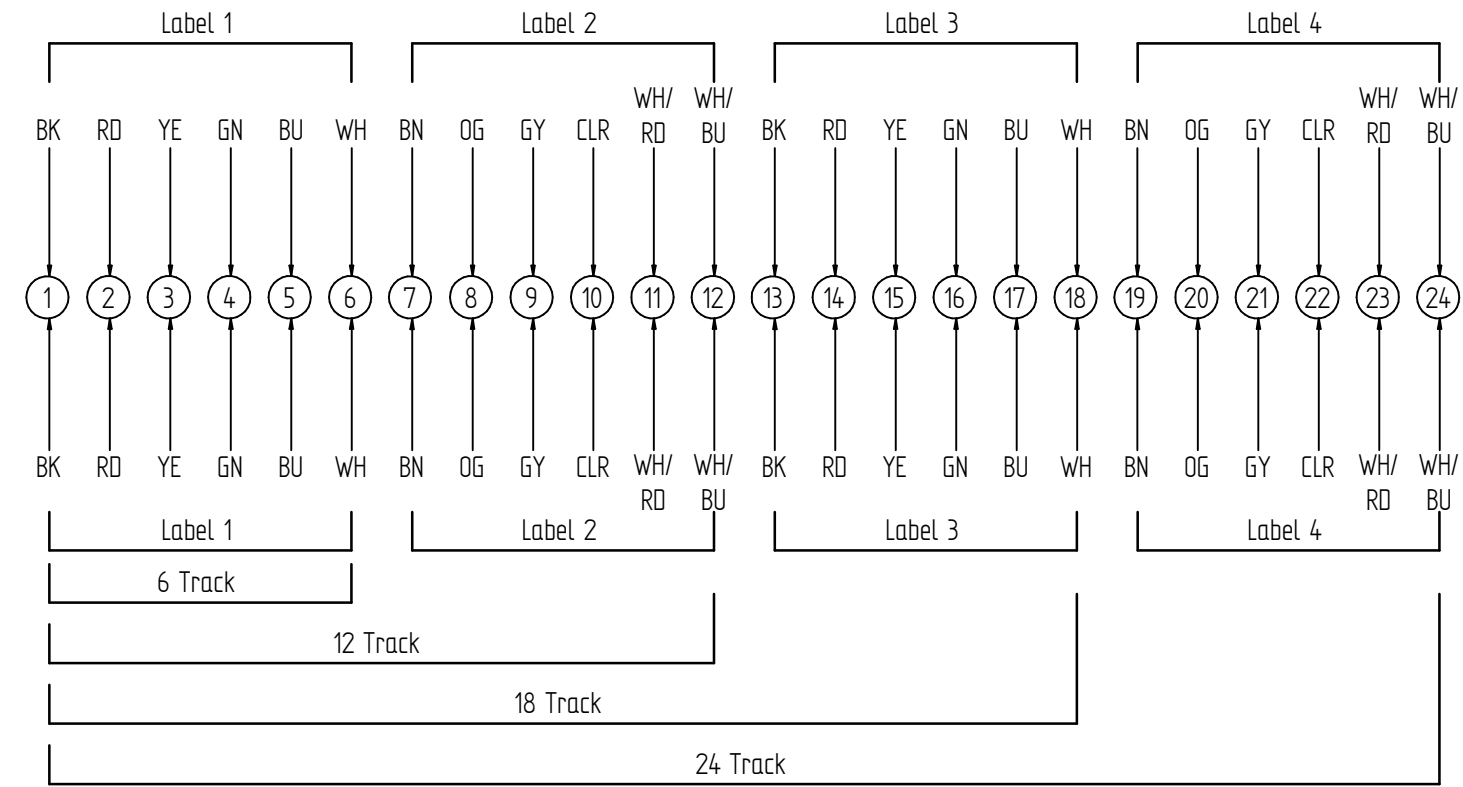
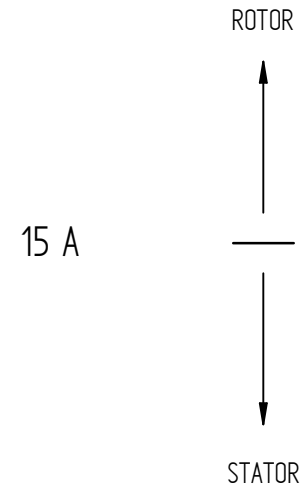
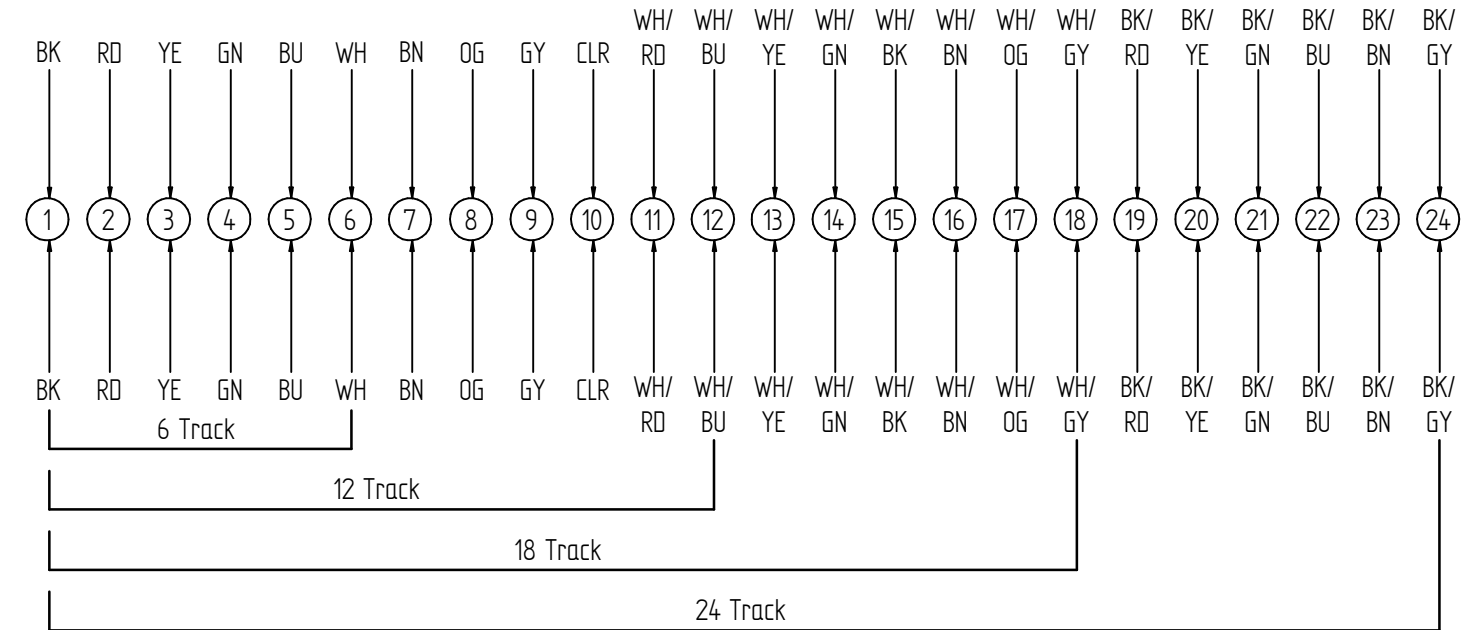
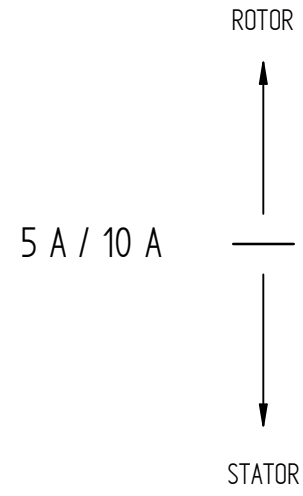
ELECTRONIC & ELECTRIC		MECHANICAL	
Rating Voltage	250 V AC / DC or 400 V AC	Working Speed	300 rpm max.
		Inner Diameter	Ø 38,1
		Contact Material	Precious Metals
Current	15 A	Lead Wire Length	STATOR: 250 mm ROTOR: 250 mm
Track	6	/	/
Insulation Resistance	500 MΩ @ 500 V DC	/	/
ENVIRONMENT		REMARKS	
Working Temperature	-20 °C to +60 °C	Application	see Manual
Working Humidity	≤ 60 % RH	Other	/
Protection Class	IP50	Note:	/

10	1	70C000017	Maverick Schleifring 6-Weg 15A		
Pos.	Anz.	Mat.Nr.	Kurztext	GroÙe/Abmessung	Werkstoff
1	2	3	4	5	6
DIN ISO 5456-2	TOLERANCES	DIN ISO 13715	FINISH	SCALE	REFERENCE 2
	ISO 2768 - mH	+0,3 +0,1	-0,1 -0,3	1:1	REFERENCE 1
STANDARDS	DWG NO	REVISION	FIRST RELEASE	WEIGHT	REFERENCE 1
ISO 8015 ISO 14405	7KC000017	A1	11.01.2022	0,001 kg	
		DESIGNER	AGREPPMAYR	CHANGE NO	
		APPROVED		200120151	
	Beschreibung	CHANGE NO	DOCUMENT TYPE	SHEET	
	Maverick Schleifring 6-Weg 15A Maverick Slip Ring 6-Track 15A	200120151	Kundenzeichnung	1/2	
	SIZE/DIM				
	Draht: 1000955306/D02/000/03	Modell: 1000955306/D00/000/03			A2

All drawings are the property of Schleifring GmbH Germany and are to be treated as confidential. The reproduction, distribution and utilization as well as the communication of its contents to others without express authorization is prohibited. Offenders will be held liable for the payment of damages. All rights reserved in the event of the grant of a patent, utility model or design.

All drawings are the property of Schleifring GmbH/ Germany and are to be treated as confidential. The reproduction, distribution and utilization as well as the communication of its contents to others without express authorization is prohibited. Offenders will be held liable for the payment of damages. All rights reserved in the event of the grant of a patent, utility model or design.

Cable Table	
Current	Cable
5 A / Signal	AWG17
10 A	
15 A	AWG14



DIN ISO 5456-2 	TOLERANCES ISO 2768 - mH	DIN ISO 13715 	FINISH	SCALE	REFERENCE 2
			MATERIAL	1:1	REFERENCE 1
STANDARDS ISO 8015 ISO 14405	DWG NO 7KLC000017		REVISION A1	FIRST RELEASE	11.01.2022
	Beschreibung Maverick Schleifring 6-Weg 15A			CHANGE NO 200120151	
	DESCRIPTION Maverick Slip Ring 6-Track 15A			DOCUMENT TYPE Kundenzeichnung	
	SIZE/DIM.			SHEET 2/2	